

Sign installation instructions

for Indoor (7. 62mm) ,Semi-outdoor (7. 62mm/11. 43mm/15. 24mm/
20. 0mm) ,Outdoor (16. 0mm/20. 0mm/25. 0mm)

These instructions how to mount the following signs: Indoor (7. 62mm) ,Semi-outdoor (7. 62mm/11. 43mm/15. 24mm/
20. 0mm) ,Outdoor (16. 0mm/20. 0mm/25. 0mm) .

Before mounting a sign, remove power from the sign.

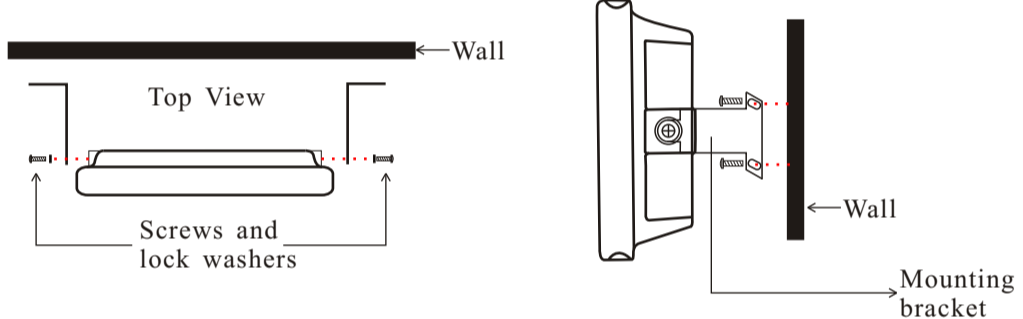
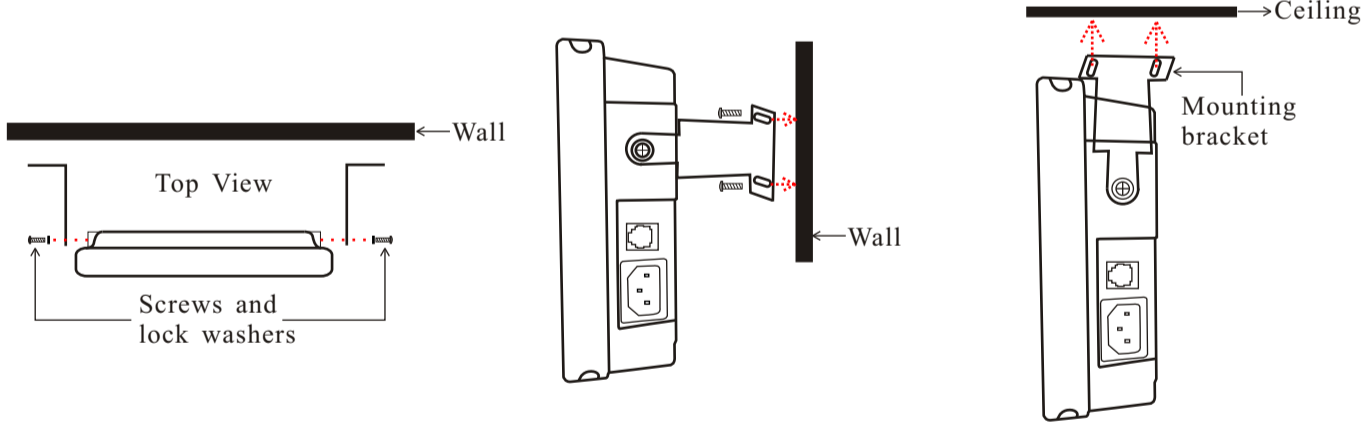
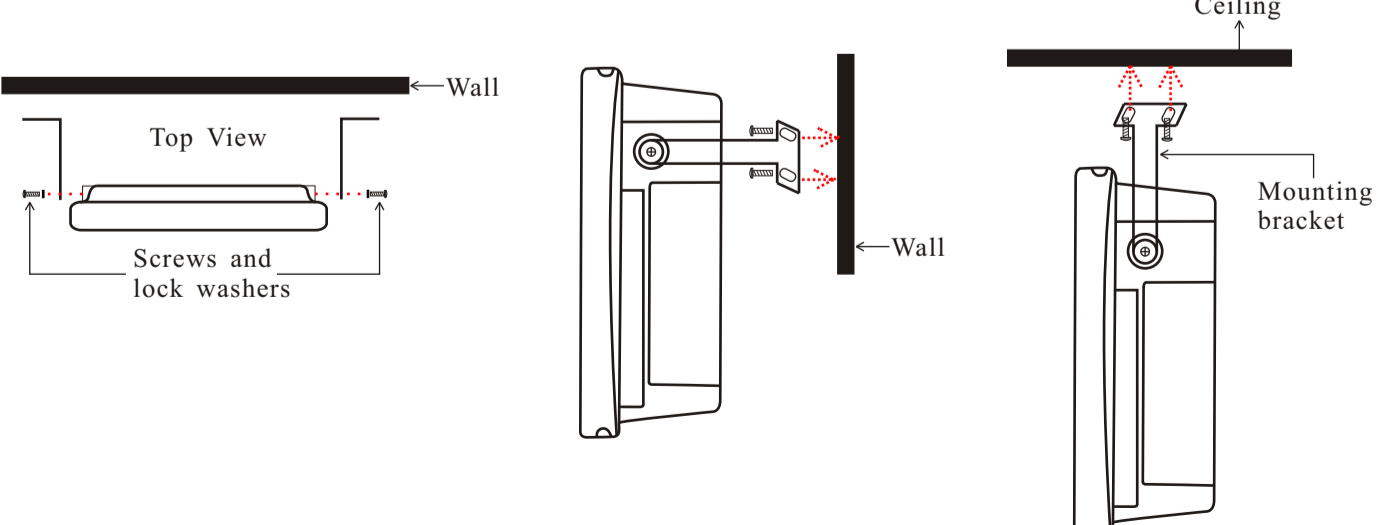
▲ WARNING

Hazardous voltage.

Contact with high voltage may cause death or serious injury.

Always disconnect power to sign prior to servicing.

We provide brackets, screws and washers that need for mounting.

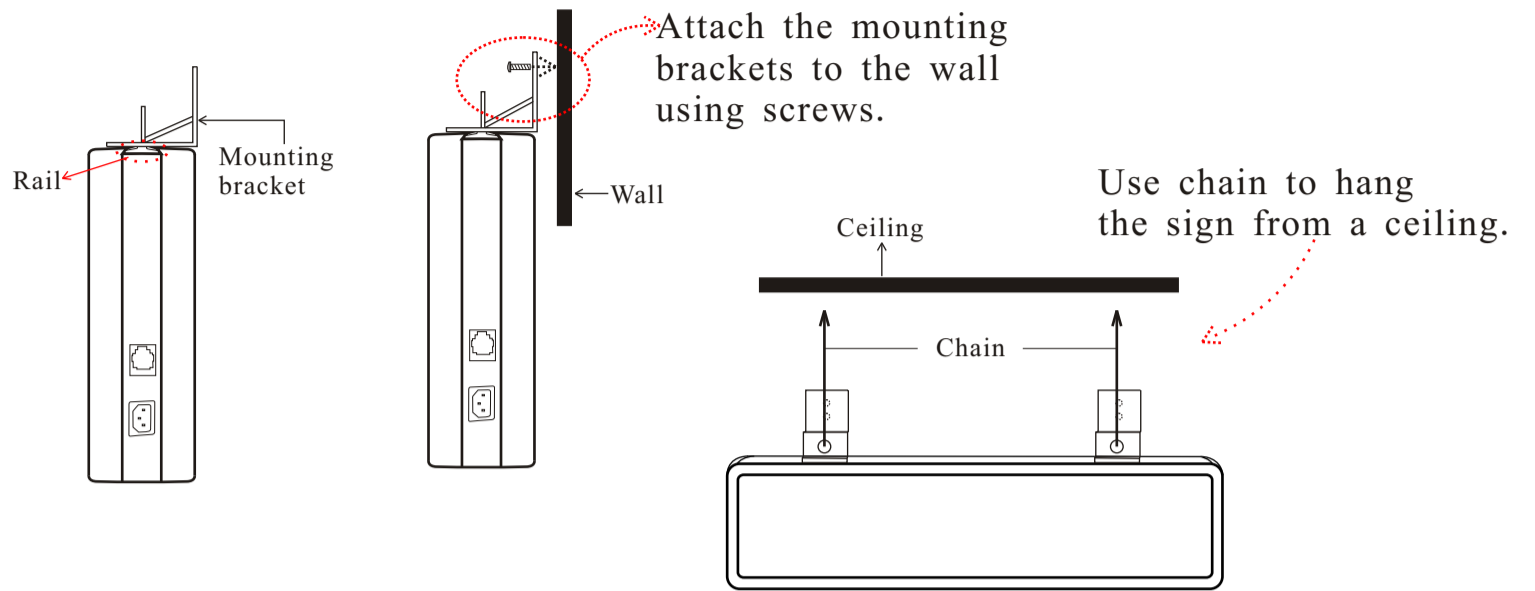
Model	Mounting instructions
Indoor or semi-outdoor (7. 62mm) one-line	<ol style="list-style-type: none"> 1. Attach the mounting brackets to the wall. 2. Attach the sign to the mounting brackets using screws and washers as shown. 
Indoor or Semi-outdoor (7. 62mm) two-line Semi-outdoor 15. 24mm one line	<ol style="list-style-type: none"> 1. Attach the mounting brackets to the wall or ceiling. 2. Attach the sign to the mounting brackets using screws and washers as shown. 
Indoor or Semi-outdoor (7. 62mm) three and four line Semi-outdoor 11. 43mm two line Semi-outdoor 15. 24mm two line	<ol style="list-style-type: none"> 1. Attach the mounting brackets to the wall or ceiling. 2. Attach the sign to the mounting brackets using screws and washers as shown. 

Model

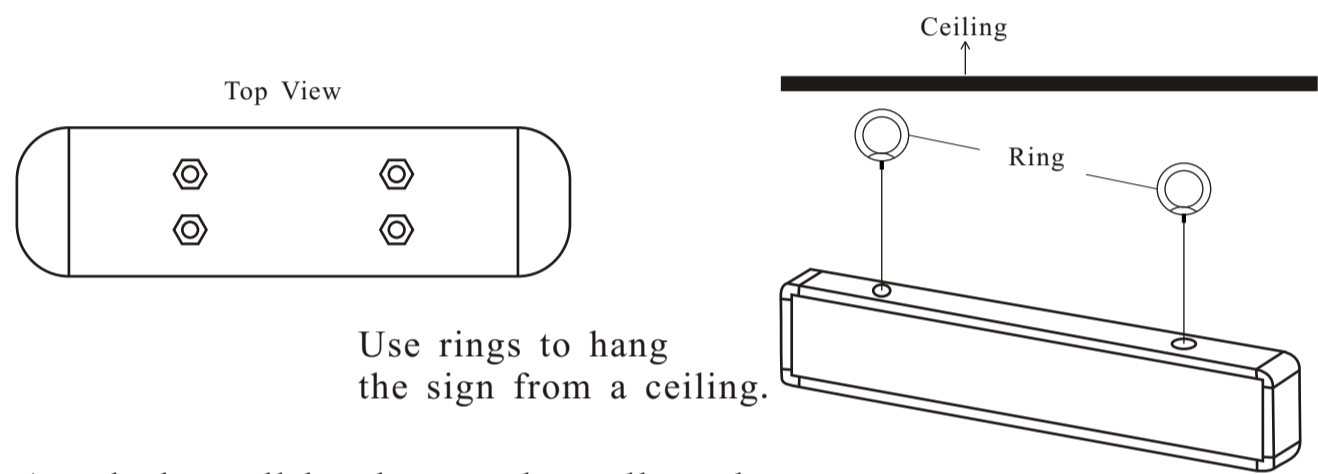
Mounting instructions

Semi-outdoor 11. 43mm
three and four line
Semi-outdoor 20. 0mm
two, three and four line

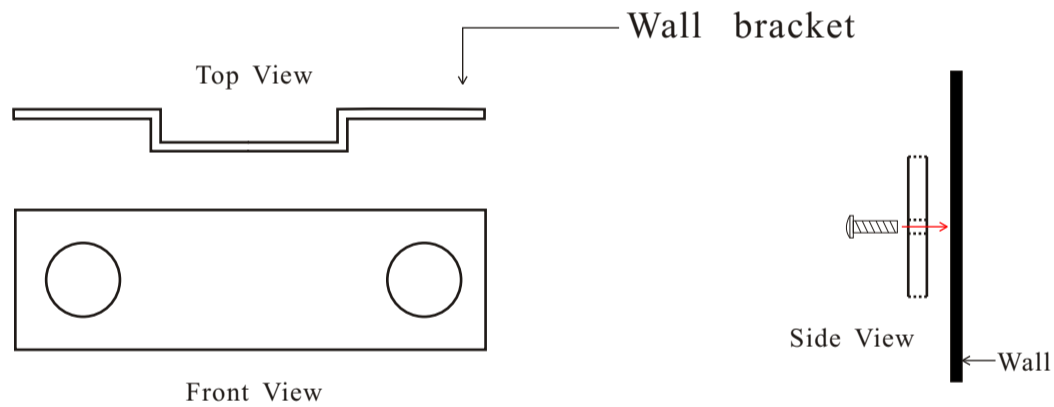
Insert a mounting bracket into the "rail" on each side of the sign.



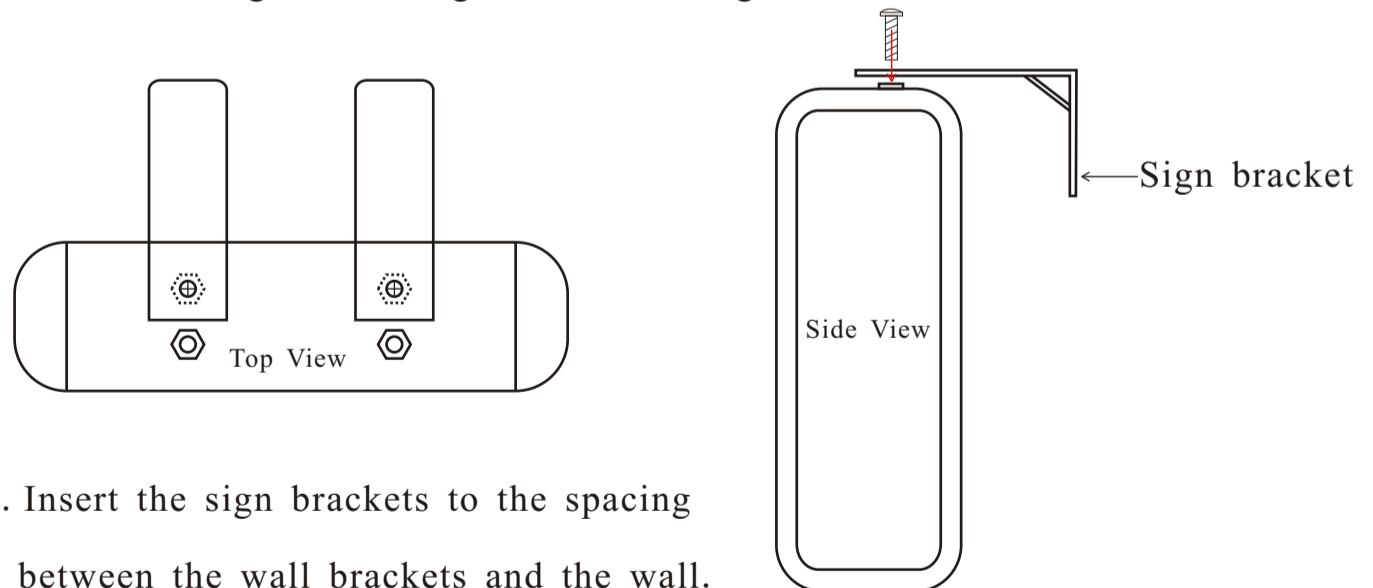
Outdoor led sign
(16. 0mm/20. 0mm/
25. 0mm)



1. Attach the wall brackets to the wall as shown.



2. Attach the sign to the sign brackets using screws and washers as shown.



3. Insert the sign brackets to the spacing between the wall brackets and the wall.

